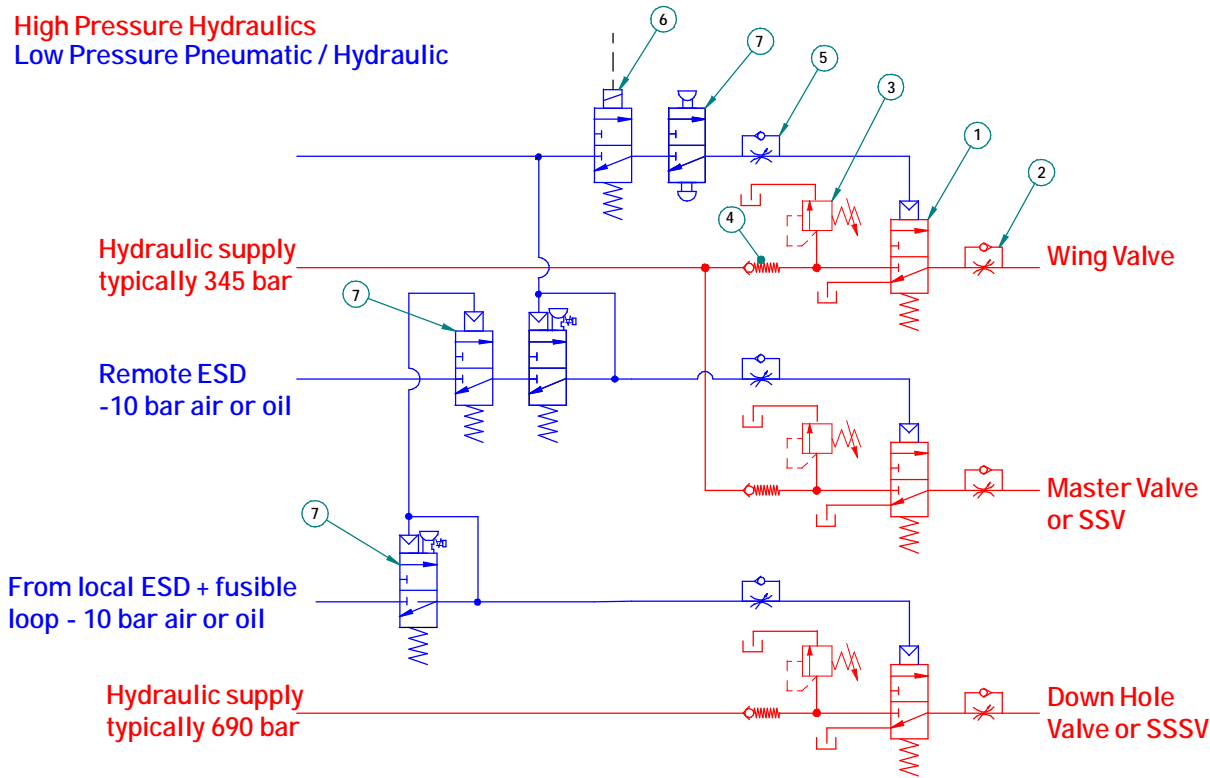


Low Pressure Logic Wellhead Control

Opening sequence to protect down hole valves

Reliability and Innovation in directional control valves

High Pressure Hydraulics
Low Pressure Pneumatic / Hydraulic



Check List

1	2	3	4	5	6	7		
Interface Valves	Flow Controls	Thermal Relief	Check Valves	Flow Control	Solenoid	Junior Range		
FP15/L1/04/32/S	FCV3014/05/S	TRV2005/S	ICV4118/05/S	S06-FC1	FP06P-S1-04-32-NU-V-24VDC-87DA9	SJJ06-M14-32-NU-04 SJJ06-P9-32-NC-M16-K54 SJ06-P1-32-NU-00		

NOTE: Valve model numbers shown above are for illustration purposes.
For complete list of preferred range products please refer to Preferred Product booklet.